

NEO

— *User Guide* —



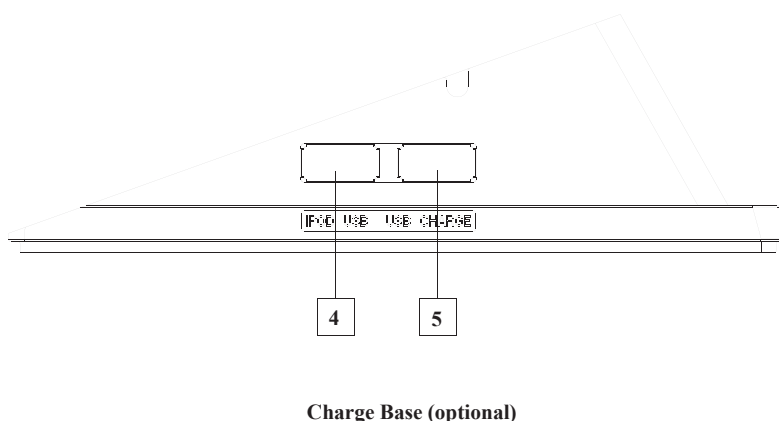
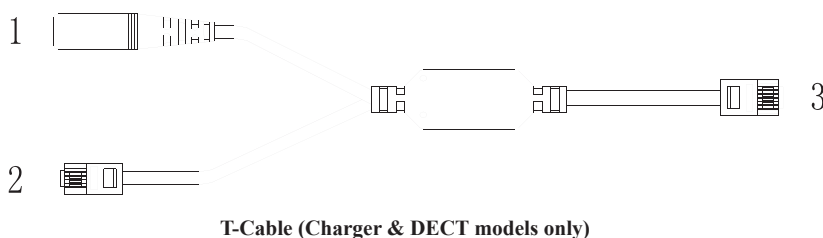
MAIN FEATURES

NEO is available in corded speaker, non-speaker, and cordless. Mobile device charge base is an available option.

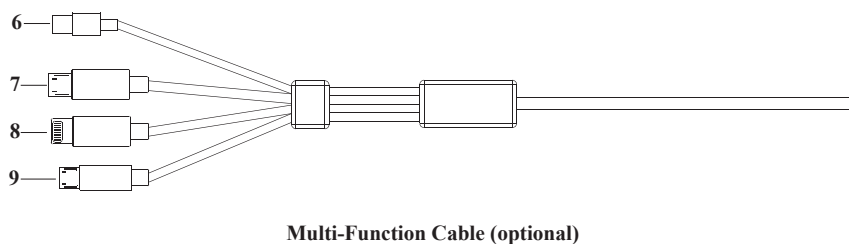
Features include:

- Up to 10 speed dial memory keys
- Program memory keys using master cloner or handheld cloner
- Customized faceplate
- Message waiting light compatible with most PBX, is also ring indicator
- Hearing aid compatible handset
- Speaker and handset volume in three control levels
- Ringer volume to high or low control levels
- Redials the last number dialed, and number disappears within 5 minutes
- Hold
- Speaker (on speaker version)
- Three-way conference (two-line version)
- Charging for smartphone devices (charging version)

QUICK GUIDE FOR LOCATION AND CONTROL



1. T-Cable's power jack	6. USB-C
2. T-Cable's RJ11 Port (4 pin)	7. Micro-USB
3. T-Cable's RJ11 port (6 pin)	8. Lightning Connector
4. IPOD USB Connector	9. Micro-USB
5. USB Charge	



Installation

Classic NEO

1. Handset Cord

Plug one end of the coil cord into the jack at the base of the handset and the other end into the jack located on the left side of the telephone with handset icon.

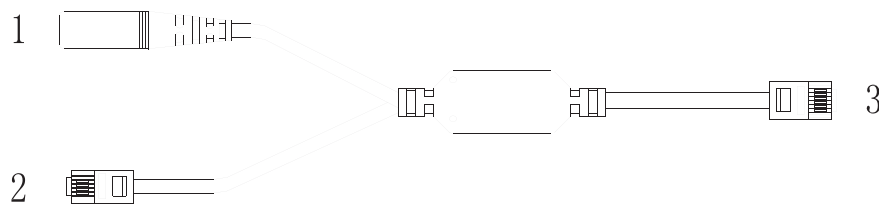
2. Telephone line cord

Insert the one end of the straight-line cord into the jack labeled “TO TEL”, then insert the other end of the line cord into telephone wall jack.

NEO WITH CHARGE BASE

3.) Power and Telephone Line Cord

First, connect the T-Cable’s power jack (Marked 1 in the below figure) with the power adaptor. Then, connect the T-Cable’s RJ11 (4 pin. Marked 2 in the below figure) with the telephone line jack in the room. Lastly, please connect the T-Cable’s RJ11 port (6 pin. Marked 3 in the below figure) to telephone set’s “TO TEL” port, which is on the back of the phone.



HOW TO USE THE TELEPHONE

USING THE HANDSET

When the phone rings the corresponding line indicator flashes rapidly.

- Pick up the handset.
- The line is automatically selected. (Two Line models only)
- To end the call, hang up by placing the handset back down.

USING THE SPEAKERPHONE

When the phone rings the corresponding line indicator flashes.

- Press the [SPKR] key.
- The speakerphone comes on automatically and selects a line. (Two Line models only)
- Press [SPKR] when finished.

SPEAKERPHONE TIPS

To activate the handset from speakerphone mode:

- Lift the handset.

To activate the Speakerphone from handset mode:

- Press the [SPKR] key
- Hang up the handset

ADJUST THE CALL VOLUME

During the call, press VOL+/- key to adjust the volume level of handset and speaker. Handset volume resumes to low and speaker stores the current level after the telephone is back on-hook.

THREE-WAY CONFERENCE (2-LINE MODELS ONLY)

- Press HOLD key to hold the current line then connect another line, after that please press CONF key and it enters into three-way conference mode. On-hook status completes the conference sequence.
- In conference mode, press the selected LINE key to relieve the conference mode and talk with one party. Or press HOLD key to hold the two lines and then press the desired line key to talk with the selected line, then press CONF key to resume the conference mode.

USING ONE TOUCH MEMORY KEYS

In Off-hook mode, press desired memory key to dial the location directly.

TO REDIAL THE LAST NUMBER DIALED

Press REDIAL key to dial the last number dialed. After five minutes the number will be erased.

USING THE HOLD KEY

Off-hook mode, press HOLD key (the LED indicator light will illuminate) and put the handset back, the current line is in hold mode, off-hook again will release the hold mode.

MUTE KEY

Set the microphone mute function on and off.

The LED indicator light above mute key displays the on/off status of the mute function. When mute is on, the handset and speakerphone audio is turned off.

You are able to hear the party, but they are unable to hear you.

ADJUST RINGER VOLUME

With the adjustment control which is located on the back of the telephone to adjust the ringer to Low or Hi.

PROGRAMMING ONE TOUCH MEMORY KEYS

When idle, the HOLD key will be considered the STORE KEY. With the telephone plugged in and handset on hook:

- Press HOLD
- Press the Sequence to be dialed (EX; "0" for operator)
- Press HOLD
- Press the autodial where number is to be stored
- Repeat steps for remainder Guest Service Keys

To access an outside line you may need to dial an 8 or 9, and may require a pause after this digit and before the telephone number. To insert a PAUSE please use the REDIAL KEY in conjunction with instructions above.

MWL

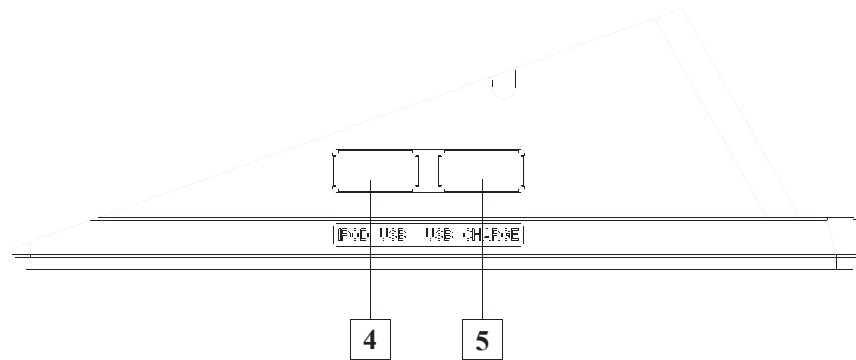
In Off-hook mode, press this key to access voice messages and other services.

Please see programming Guest Service Keys to store a number.

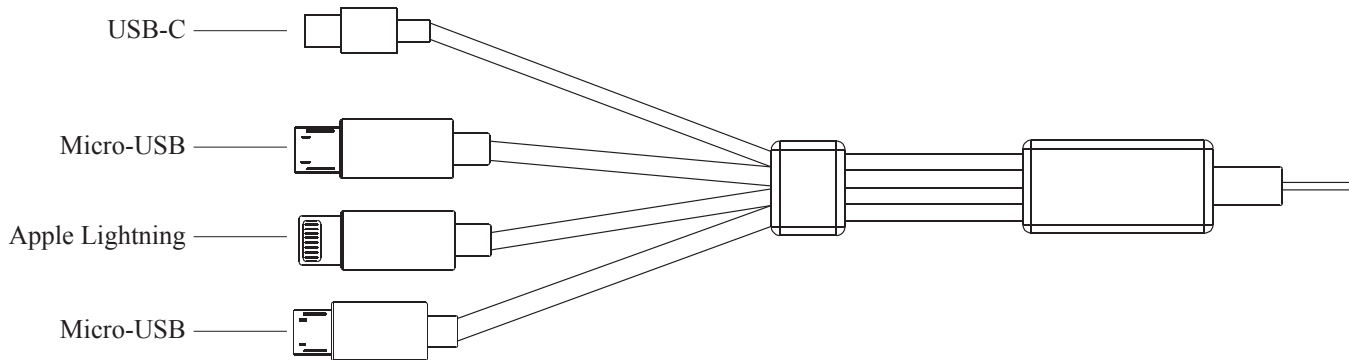


MOBILE DEVICE CHARGE BASE (OPTIONAL)

Two USB Charging Connectors, which can be used to charge for most mobile devices through USB Charging Cable.



MULTI-FUNCTION CHARGING CABLE



FCC APPROVAL

Complies with Part 68 of the FCC rules. On the bottom of this telephone is a label that contains, among other information, the FCC registration number and the ringer equivalence number (REN) for this telephone. If requested, you must provide this information to the Telephone Company.

CE APPROVAL

Complies with CE approval.

JACKS

Use RJ11C USOC standard modular jacks.

MAINTENANCE

Please note the following:

- Handset is a magnetic switch instead of traditional mechanical switch. Please keep magnetic fields clear from telephone.
- Do not use in extreme temperatures.
- Do not use aerosol polish or abrasive cleaners.
- Do not tamper or attempt to modify the phone, will void warranty.
- Handle with care, avoiding hard knocks and shocks.
- If there is any fault, please contact your distributor for repair and other service.

WARRANTY

This product is warranted for a period of 5-years from the date of purchase against faulty materials or workmanship. If during this period a defect arises, we may repair or replace the product, at Bittel's discretion, provided that:

- 1) The product has not been used for any purpose other than normal use,
- 2) Unauthorized product repair or modifications have not been attempted.
- 3) The product has never been used in a harsh or corrosive environment.
- 4) No damage in transit

THIS LIMITED WARRANTY GIVES THE BUYER SPECIFIC LEGAL RIGHTS. THE BUYER MAY ALSO HAVE OTHER RIGHTS WHICH VARY FROM JURISDICTION TO JURISDICTION.

This warranty is only valid for merchandise purchased directly from Bittel or authorized dealers and distributors.

FCC WARNING

This device complies with part 15 of the FCC Rules. Operation is subject to the following two conditions:

- (1) This device may not cause harmful interference
- (2) this device must accept any interference received, including interference that may cause undesired operation.



CONTACTING BITTEL AMERICAS
Telephone: 1.408.298.8206 or 1.888.9.BITTEL
www.bittelamericas.com
Email: support@bittelamericas.com
Address: 1722 Little Orchard Street
San Jose, CA 95125

Copyright © 2014 Bittel Inc. All rights reserved. V1